

FEATURES

- Low service costs
- Long life
- Available in all climate classes
- Baskets available equal to EL freezers

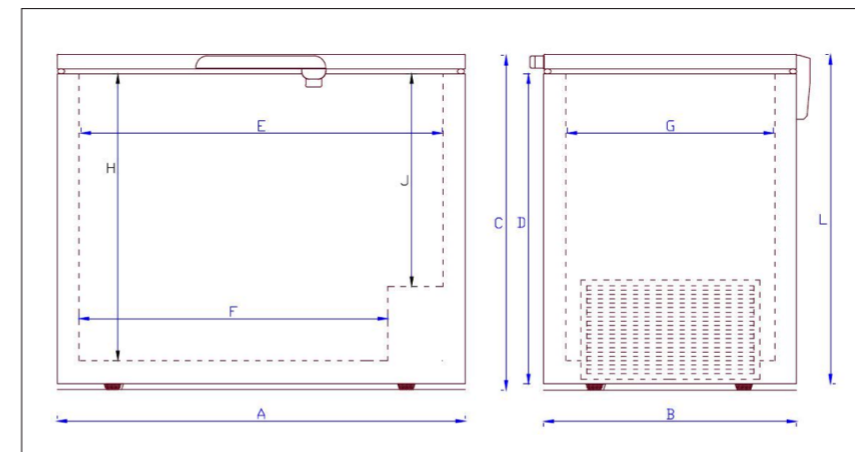


| EL SS |

STAINLESS STEEL LID FOR PREPARING FOOD



AVAILABLE IN 6 SIZES



	EL 22 SS	EL 35 SS	EL 45 SS	EL 53 SS	EL 61 SS	EL 71 SS
Ambient temperature range	+10 to +30	+10 to +30	+10 to +30	+10 to +30	+10 to +30	+10 to +30
Gross volume, litres	215	347	447	527	607	701
Net volume, litres	205	331	427	504	580	670
Temperature range inside unit	-14 to -22	-14 to -22	-14 to -22	-14 to -22	-14 to -22	-14 to -22
Refrigerant: R134a	Yes	Yes	Yes	Yes	Yes	Yes
Energy consumption / 24 h (kwh) at 18 deg	0,71	0,9	1,05	1,3	1,52	1,95
Input power (watt):	124	141	146	211	211	245
DIMENSIONS						
External dimensions (wxdxh)	725x655x865	1055x655x865	1305x655x865	1505*655*865	1705*655*865	1805x695x865
Internal dimensions (w*d*h)	606*536*745	936*536*745	1186*536*745	1386*536*745	1586*536*745	1686*576*745
Dimension A	725	1055	1305	1505	1705	1805
Dimension B	655	655	655	655	655	695
Dimension C	865	865	865	865	865	865
Dimension D	780	780	780	780	780	780
Dimension E	606	936	1186	1386	1586	1686
Dimension F	406	736	986	1186	1386	1486
Dimension G	536	536	536	536	536	576
Dimension H	745	745	745	745	745	745
Dimension J	495	495	495	495	495	495
Dimension L	850	850	850	850	850	850
Insulation ,mm	60	60	60	60	60	60
ACCESSORIES						
Dividers	Optional	Optional	Optional	Optional	Optional	optional
Baskets included	1	2	2	3	3	3
Max. Number of basket possible	1	2	3	4	4	6
Castors	Optional	Optional	Optional	Optional	Optional	optional
Castors w. brakes	Optional	Optional	Optional	Optional	Optional	optional
Lock	Included	Included	Included	Included	Included	Included
OTHER DATA						
Outer cabinet	White	White	White	White	White	White
Inner cabinet	Aluminium	Aluminium	Aluminium	Aluminium	Aluminium	Aluminium
Lid	Stainless EN 1.4301	Stainless EN 1.4301	Stainless EN 1.4301	Stainless EN 1.4301	Stainless EN 1.4301	Stainless EN 1.4301
Type of cooling	Static	Static	Static	Static	Static	Static
Type of defrost	Manual	Manual	Manual	Manual	Manual	Manual
Power	220-240V/50hz	220-240V/50hz	220-240V/50hz	220-240V/50hz	220-240V/50hz	220-240V/50hz
Power 110volt / 60 hz	Optional	Optional	Optional	Optional	Optional	Optional
Thermostat	Analog	Analog	Analog	Analog	Analog	Analog
Freezing capacity kg/ 24 h	15	22	27	36	38	43
Light in Lid	Included	Included	Included	Included	Included	incl
Calendar in Lid	Included	Included	Included	Included	Included	incl
Net weight, kg	43	54	64	67	77	85
Gross weight, kg	46	58	68	71	82	89
SHIPPING						
20' cont. Capacity	42	30	24	20	18	14
40' cont. Capacity	90	64	50	46	40	30
40' HC cont. Capacity	126	88	70	61	52	42
Standard Trailer capacity	102	74	60	52	44	42